

**P5-125(160)(250)(315)/E**  
**P5-125(160)(250)(315)/EA/SVB/HI10**  
**P5-125(160)(250)(315)/EA/SVB/N**  
**P5-125(160)(250)(315)/EA/SVB-SW/HI10**  
**P5-125(160)(250)(315)/EA/SVB-SW/N**  
**P5-160/EA/SVB-SW/N-SCM**  
**P5-160/EA/SVB-SW-SCM**

P5-125(160)...	17 mm (0.67")
P5-250(315)...	22 mm (0.87")
HI...P5	8 mm (0.32")

**(en) Electric current! Danger to life!**  
Only skilled or instructed persons may carry out the following operations.

**(de) Lebensgefahr durch elektrischen Strom!**  
Nur Elektrofachkräfte und elektrotechnisch unterwiesene Personen dürfen die im Folgenden beschriebenen Arbeiten ausführen.

**(fr) Tension électrique dangereuse !**  
Seules les personnes qualifiées et averties doivent exécuter les travaux ci-après.

**(es) ¡Corriente eléctrica! ¡Peligro de muerte!**  
El trabajo a continuación descrito debe ser realizado por personas cualificadas y advertidas.

**(it) Tensione elettrica: Pericolo di morte!**  
Solo persone abilitate e qualificate possono eseguire le operazioni di seguito riportate.

**(zh) 触电危险!**  
只允许专业人员和受过专业训练的人员进行下列工作。

**(ru) Электрический ток! Опасно для жизни!**  
Только специалисты или проинструктированные лица могут выполнять следующие операции.

**(en) NOTICE**

Mounting in enclosures: Fit the switch off centre. Cover must only be mountable in one position.

**(de) ACHTUNG**

Bei Einbau in Gehäuse: Schalter außermittig anbringen. Deckel darf nur in einer Position montierbar sein.

**(fr) ATTENTION**

En cas de montage dans un coffret : Monter le commutateur légèrement en dehors de la position centrale. Le couvercle ne doit pouvoir être fixé que dans une seule position.

**(es) CUIDADO**

Montaje en cajas: El interruptor ha de instalarse en una posición descentrada. La tapa ha de ser montada en una sola posición.

**(it) AVVISO**

Montaggio in una custodia: Non posizionare l'interruttore al centro. Il coperchio può essere montato solo in una posizione.

**(zh) 注意**

安装在壳体内部时：开关要偏离中心安装。只能在一个位置上安装盖子。

**(ru) ВНИМАНИЕ**

При монтаже в квадратные корпуса: Выключатель устанавливать эксцентрично. Крышка должна устанавливаться только в одном положении.

**P5-125(160)(250)(315)/E**



P5-125/...	P5-160/...	A
P5-250/...	P5-315/...	B

**UL60947-4-1, UL508**

Temperature rating of wire 75°C

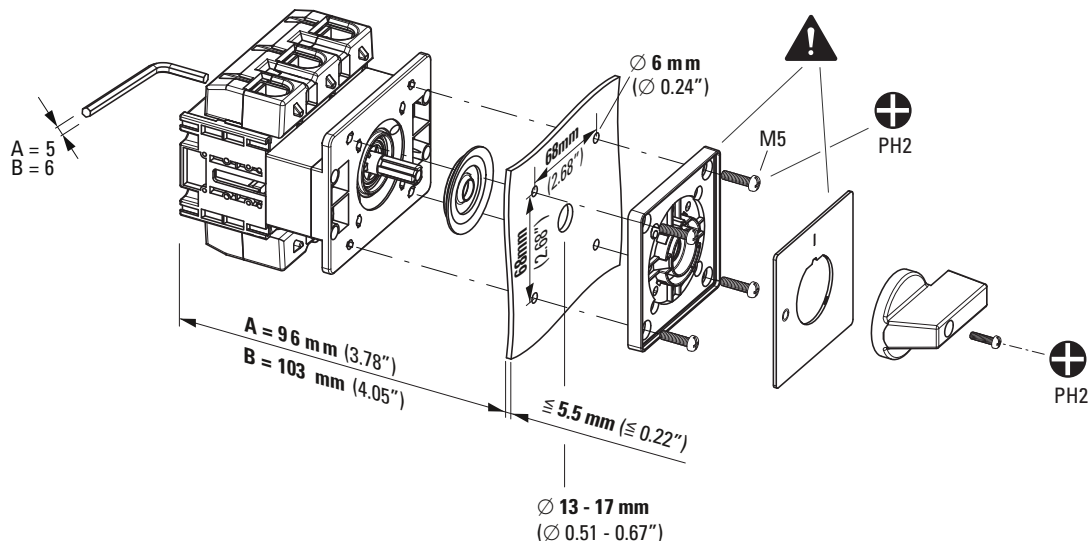
These devices are suitable for use on circuits capable of delivering not more than 10 kA rms symmetrical amperes 600 V ac max. when protected by Type RK1 fuses.

Use copper wire only

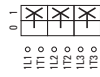
Torque value for field wiring terminals:	Typ	lb-in	Nm
	P5-125...	125	14
	P5-160...	125	14
	P5-250...	140	16
	P5-315...	140	16

**IEC60947-3 / EN60947-3 / VDE0660-107**

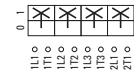
Max Fuse Rating:	Typ	Fuse characteristic	Numb Fuses	Current (A)
	P5-125...	gG	1	125
	P5-160...	gG	1	160
	P5-250...	gG	1	250
	P5-315...	gG	1	315



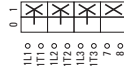
P5-125(160)(250)(315)/EA/SVB  
P5-125(160)(250)(315)/EA/SVB-SW  
P5-160/EA/SVB-SW-SCM



P5-125(160)(250)(315)/EA/SVB/N  
P5-125(160)(250)(315)/EA/SVB-SW/N  
P5-160/EA/SVB-SW/N-SCM



P5-125(160)(250)(315)/EA/SVB-SW/HI10  
P5-125(160)(250)(315)/EA/SVB/HI10



P5-125/... P5-160/... A  
P5-250/... P5-315/... B

**UL60947-4-1, UL508**

Temperature rating of wire 75°C

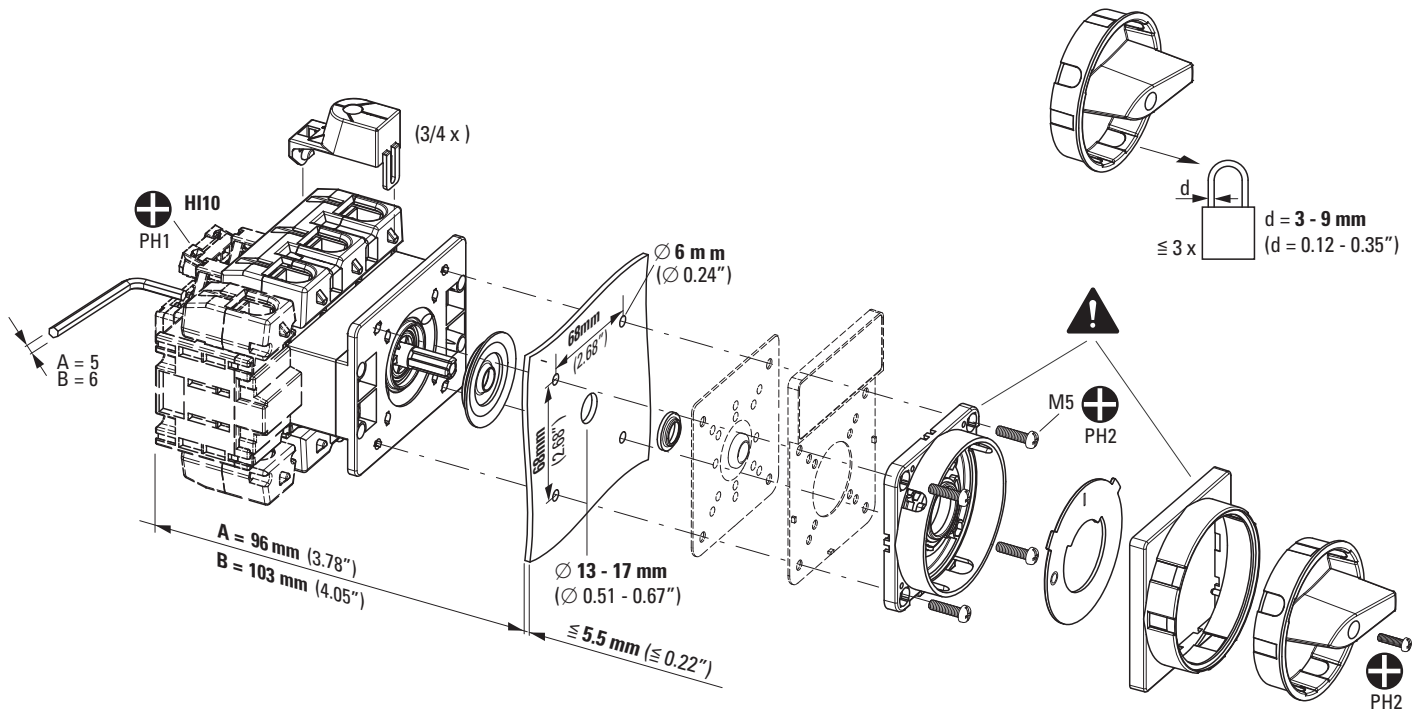
These devices are suitable for use on circuits capable of delivering not more than 10 kA rms symmetrical amperes 600 V ac max. when protected by Type RK1 fuses.

Use copper wire only

Torque value for field wiring terminals:	Typ	lb-in	Nm
	P5-125...	125	14
	P5-160...	125	14
	P5-250...	140	16
	P5-315...	140	16

**IEC60947-3 / EN60947-3 / VDE0660-107**

Max Fuse Rating:	Typ	Fuse characteristic	Numb Fuses	Current (A)
	P5-125...	gG	1	125
	P5-160...	gG	1	160
	P5-250...	gG	1	250
	P5-315...	gG	1	315



04/18 IL03802010Z

	HI...P5
	0.5 - 2.5 mm <sup>2</sup>
	0.5 - 2.5 mm <sup>2</sup>
	<b>0.8 Nm (7.0 lb-in)</b>

	P5-125(160)/EA/SVB...	P5-250(315)/EA/SVB...
	1 x 70 mm <sup>2</sup> 2 x 25 mm <sup>2</sup>	1 x 120 mm <sup>2</sup> 2 x 50 mm <sup>2</sup>
	1 x 95 mm <sup>2</sup> 2 x 35 mm <sup>2</sup>	1 x 185 mm <sup>2</sup> 2 x 70 mm <sup>2</sup>
	1 x 13 x 3 2 x 13 x 1.5	1 x 20 x 5 2 x 20 x 3
	<b>14 Nm (125 lb-in)</b>	<b>16 Nm (140 lb-in)</b>

