



Main

Range of product	Harmony Electromechanical Relays
Accessory / separate part category	Mounting accessory
Product or component type	Maintaining clamp
Product destination	RXM relay

Complementary

Accessory material	Plastic
Product compatibility	Socket RXZ (2 C/O) Socket RXZ (3 C/O) Socket RXZ (4 C/O)
Sale per indivisible quantity	10
Net weight	0.005 kg

Packing Units

Unit Type of Package 1	PCE
Number of Units in Package 1	1
Package 1 Weight	4.23 g
Package 1 Height	2.4 cm
Package 1 width	2.6 cm
Package 1 Length	6 cm

Offer Sustainability

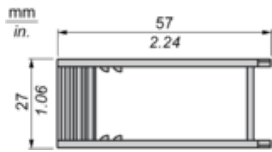
Sustainable offer status	Green Premium product
REACH Regulation	REACH Declaration
REACH free of SVHC	Yes
EU RoHS Directive	Pro-active compliance (Product out of EU RoHS legal scope) EU RoHS Declaration

Toxic heavy metal free	Yes
Mercury free	Yes
RoHS exemption information	Yes
China RoHS Regulation	China RoHS declaration
Environmental Disclosure	Product Environmental Profile

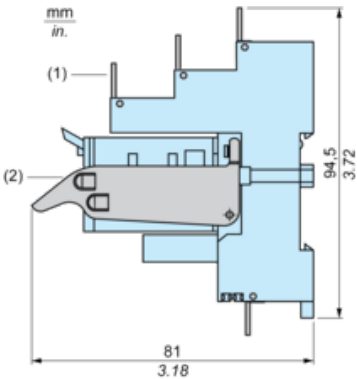
Contractual warranty

Warranty	12 months
----------	-----------

Dimensions



Mounting on All Sockets (1)



- (1) Clip-in legends for all sockets except RXZE2M114
- (2) Plastic clamp