

Data Sheet

Danfoss Icon™ Programmable Room Thermostats, 230 V

Description



Danfoss Icon™ Programmable 088U1020



Danfoss Icon™ Programmable 088U1025

Danfoss Icon™ is a range of flush and surface mounted room thermostats for hydronic floor heating applications.

Danfoss Icon™ Programmable is mains powered and can be used as a stand-alone thermostat or in combination with Wiring Center.

The thermostat uses a triac output and can control up to 5 thermal actuators.

The user can choose between 7 pre-defined heating schedules. A schedule can be temporarily overridden by using the three mode keys.

The thermostat can also operate without scheduling (constant room temperature setpoint).

The thermostat uses forecast (adaptive learning).

The thermostat uses a "touch on glass" interface with a shine through display. The display is "OFF" in normal operation.

Features:

- Accurate PWM-control;
- Compatible with 3rd party wall frames;
- Shine through display with mode keys;
- 7 pre-defined schedules and forecast;
- Range limitation via user menu;
- Neutral design and simple user interface;
- Frost protection setting;
- Can be used with 230V NC or NO actuators;
- Can be optimized for different heatsources via service menu;
- Valve exercise feature;
- Can be used in systems with cooling;
- Has input for global setback;
- Can be used with floor sensor (optional);
- Very high UV-resistance.

Ordering

Product	Version	Size	For junction box	Code no.
Danfoss Icon™ Programmable	In-wall	80 × 80 mm	Euro, Ø 68 mm	088U1020
Danfoss Icon™ Programmable	In-wall	86 × 86 mm	Square, 70 × 70 mm	088U1021
Danfoss Icon™ Programmable	In-wall	88 × 88 mm	Swiss type	088U1022
Danfoss Icon™ Programmable	On-wall	86 × 86 mm	N.A.	088U1025

Accessories

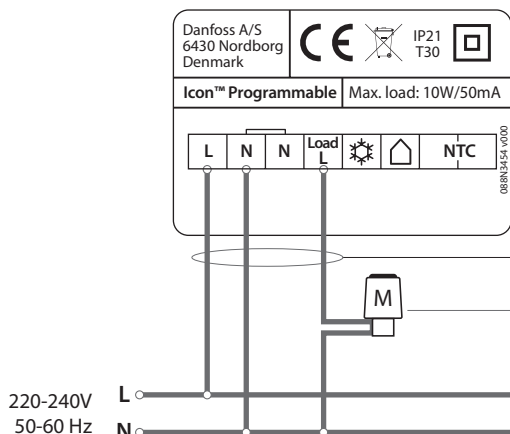
Product	Code no.
Danfoss Icon™ 230V Wiring Center, 8 channels, up to 14 outputs	088U1040
Danfoss Icon™ 230V Wiring Center, 8 channels, up to 14 outputs, CH	088U1041
Danfoss Icon™ 230V Wiring Center, 8 channels, up to 14 outputs, NP	088U1042
Danfoss Icon™ Floor Sensor 47 kΩ, 3 m, IP 67	088U1110

Technical specifications

Type	Electronic thermostat with touch user interface	
User interface	Capacitive touch and shine through display	
User interface features	Heating icon, arrow up/down, confirm key, back key, Home, Away, Night, Settings	
Display type	Hybrid: red single LED's and custom segment	
Display features	Switches OFF after 10 sec. with no interaction	
Real time clock	Yes, std. Gregorian calendar. 8 hrs. running reserve (new product) down to 1,5 hrs. running reserve in year 10 after installation.	
Automatic daylight saving time	Standard, can be turned off	
Heating schedules	7 × pre-defined schedules (P0-P6) 5/2 days (weekdays and weekends)	
Temperature setting range	5 °C to 35 °C (frost protection setting = 5 °C)	
Ambient temperature, storage	−20 °C to +60 °C	
Ambient temperature, used in application	0 °C to 40 °C	
Controller, type	Adjustable Pulse Width Modulation	
Change over, cooling	Yes, via 230 V input terminal	
Global setback/Away	Yes, via 230 V input terminal	
Max. continuous load (output)	< 50 mA / 10 W (= 5 pcs. Danfoss TWA actuators)	
Max. inrush current (actuator)	3 A ≤ 100 ms	
Power consumption	0,2 W	
Power supply (excl. actuators)	220-240 V, 50/60 Hz	
Sensor, room	NTC 47 kΩ	
Sensor, floor (optional)	NTC 47 kΩ, 3 m, IP 68	
Shell material	White parts: PC ASA Grey parts: PC, 10% glass	
IP and Protection class	IP: 21	Protection class: II
ErP class	(2%)	
Approval	CE, RoHS, WEEE	
Colour	White RAL9010 / Dark Grey RAL7024	
Dimensions, in-wall versions	80 × 80 × 11 mm (088U1020) 86 × 86 × 11 mm (088U1021) 88 × 88 × 13 mm (088U1022)	
Dimensions, on-wall version	86 × 86 × 25 mm (088U1025)	

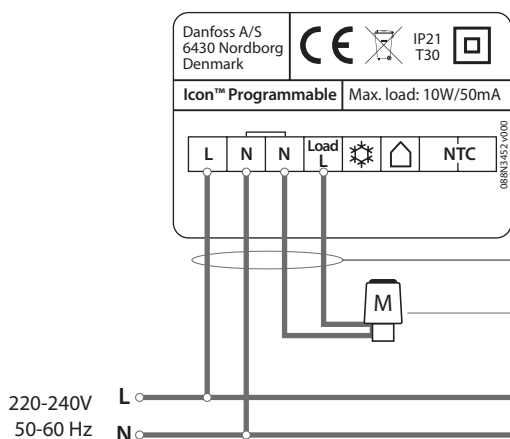
Application examples

Wiring without Wiring Center, neutral wire from main installation



Min. 3G1.5 cable to thermostat (not counting Protective earth)

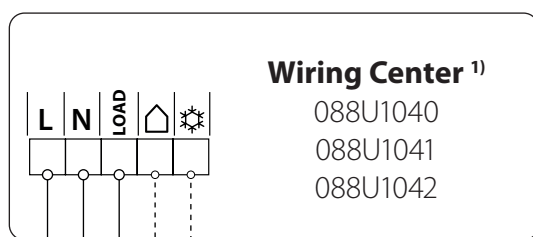
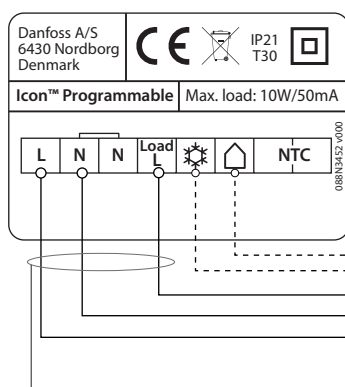
Max. 5 actuators, type NC or NO, 230V
Max. 10 W / Max. 50 mA continuous load
Max. 3 A inrush current ≤ 100 ms



Min. 4G1.5 cable to thermostat (not counting Protective earth)

Max. 5 actuators, type NC or NO, 230V
Max. 10 W / Max. 50 mA continuous load
Max. 3 A inrush current ≤ 100 ms

Wiring with Wiring Center



Wiring Center ¹⁾

- 088U1040
- 088U1041
- 088U1042

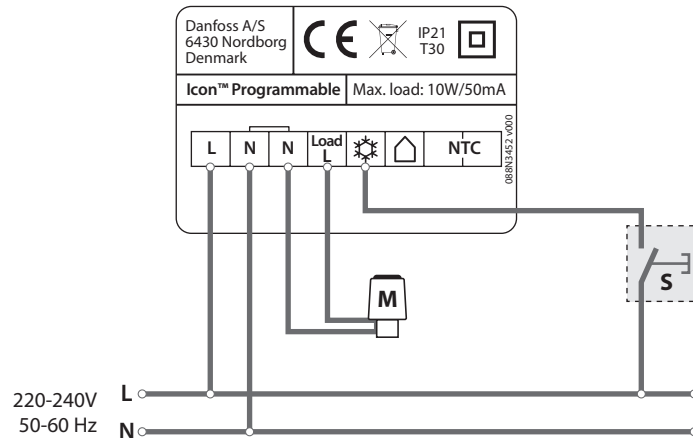
Min. 3G1.5 cable to thermostat (not counting Protective Earth)

Max. 5 actuators, type NC, 230V
Max. 10 W / Max. 50 mA continuous load
Max. 3 A inrush current ≤ 100 ms

¹⁾ **Note!** Wiring Centers only support NC actuators, and do not support cooling change-over or global setback.

Application examples

How to set thermostats to cooling mode from external device



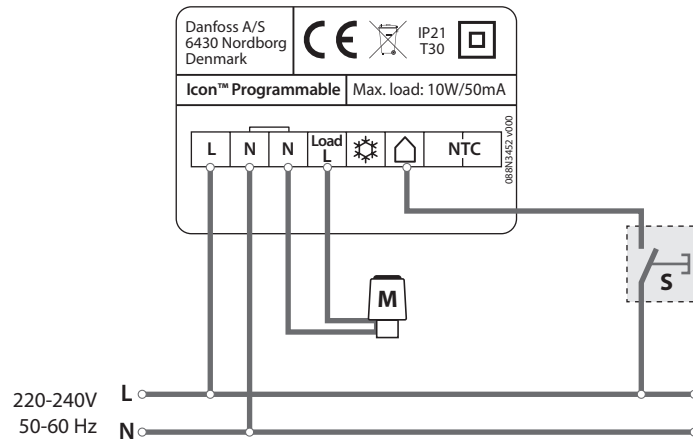
S: Can be mechanical switch Summer / Winter or relay activated by external device.

Use the same phase which supplies the thermostat.

The thermostat/room remains in cooling mode as long as the phase is live onto the ❄ terminal.

Note! Switch not delivered by Danfoss.

How to set thermostats to Away (global standby) from external device



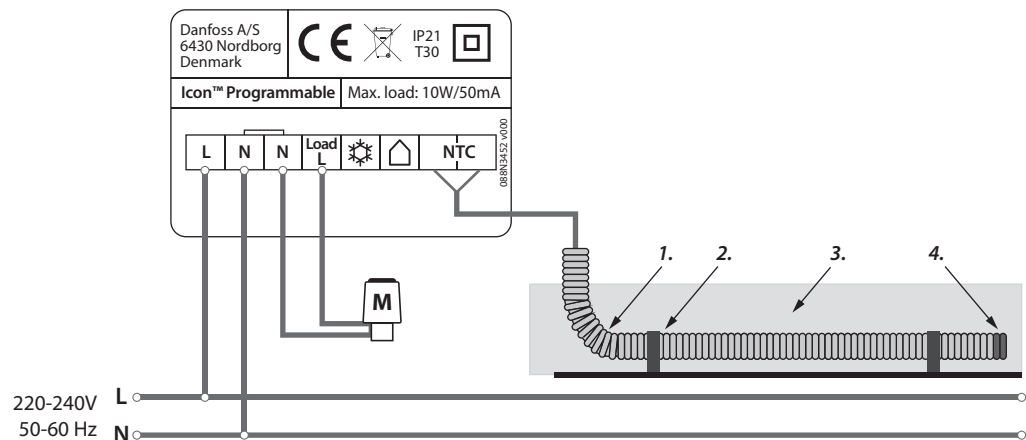
S: Can be mechanical switch Home / Away or relay activated by external device.

Use the same phase which supplies the thermostat.

The thermostat/room remains in Away mode as long as the phase is live onto the 🏠 terminal.

Note! Switch not delivered by Danfoss.

How to install a floor sensor

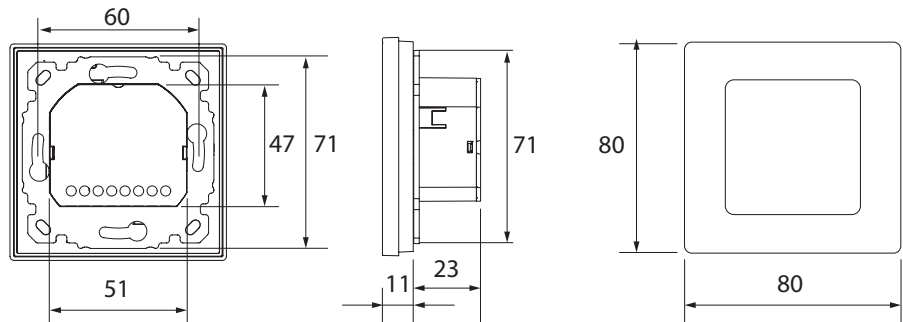


Note!

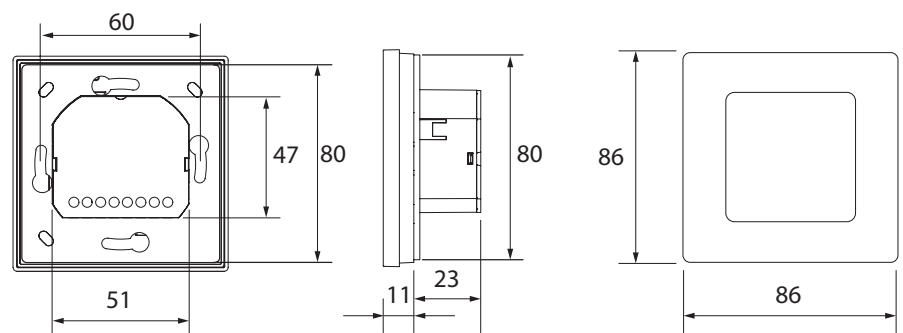
Use Danfoss 47 KΩ NTC sensor, code no.: 088U1110

Always route external sensors in a suitable electrical pipe!

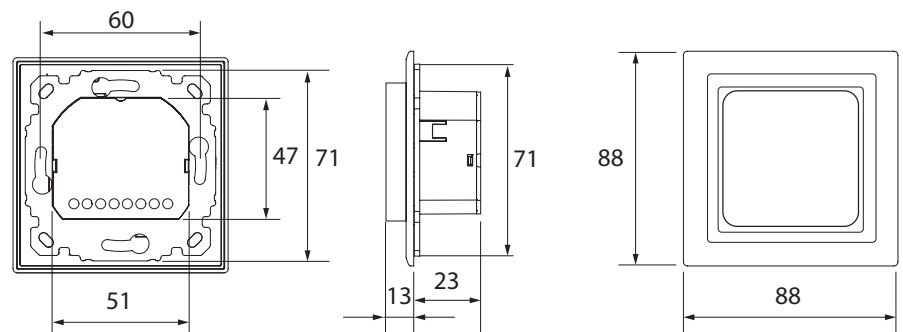
Dimensions



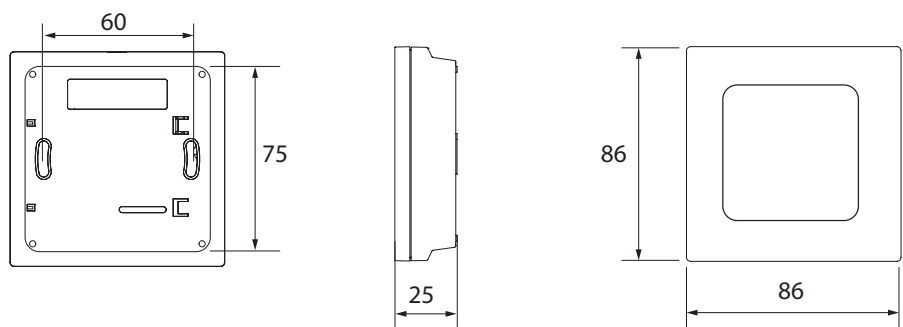
Danfoss Icon™ Programmable 088U1020



Danfoss Icon™ Programmable 088U1021



Danfoss Icon™ Programmable 088U1022 (incl. Feller EDIZIOdue frame and adapter)



Danfoss Icon™ Programmable 088U1025

Danfoss A/S

Climate Solutions • danfoss.com • +45 7488 2222

Any information, including, but not limited to information on selection of product, its application or use, product design, weight, dimensions, capacity or any other technical data in product manuals, catalogues descriptions, advertisements, etc. and whether made available in writing, orally, electronically, online or via download, shall be considered informative, and is only binding if and to the extent, explicit reference is made in a quotation or order confirmation. Danfoss cannot accept any responsibility for possible errors in catalogues, brochures, videos and other material. Danfoss reserves the right to alter its products without notice. This also applies to products ordered but not delivered provided that such alterations can be made without changes to form, fit or function of the product.

All trademarks in this material are property of Danfoss A/S or Danfoss group companies. Danfoss and the Danfoss logo are trademarks of Danfoss A/S. All rights reserved.