

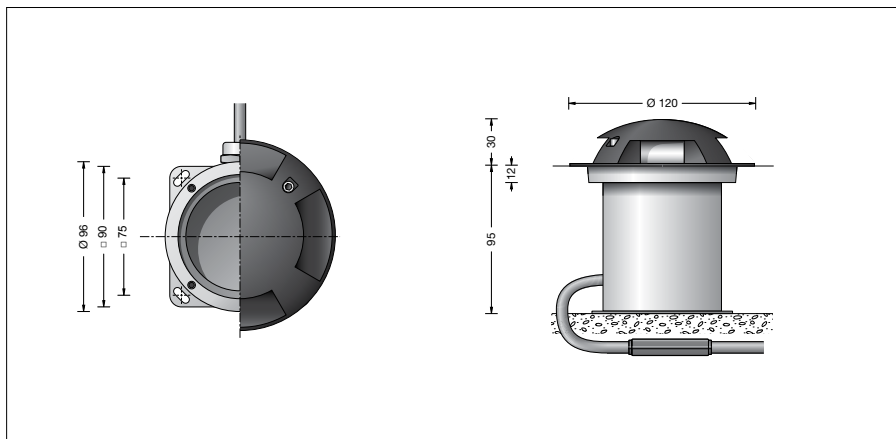
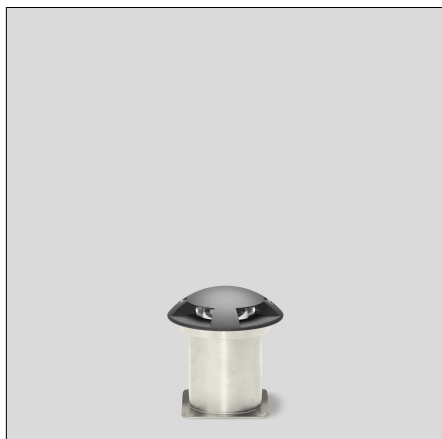
**BEGA****88 675**

In-ground luminaire



Project · Reference number

Date



## Product data sheet

### Application

In-ground luminaire with four-sided light sectors.  
For installation in compacted surfaces, paths or floors.

Drive-over luminaire for vehicles with pneumatic tyres.

For pressure load up to 1,000 kg (~10 kN).

#### Please note:

Luminaire must not be used for installation in road lanes, where the fixture is exposed to a horizontal strain due to braking, acceleration and change of direction.

### Product description

Luminaire cover made of aluminium alloy  
BEGA Unidure® coating technology  
Luminaire housing made of cast stainless steel and stainless steel  
Steel grade number 1.4571  
Optical lens is made of silicate glass  
Silicone gasket  
Baseplate with 4 fixing holes  
elongated holes 5 mm wide  
75 x 75 mm spacing  
1,8 m water-resistant connecting cable  
05RN8-F 3G 1<sup>□</sup> with implemented water stopper and 1.2 m PVC cable conduit  
LED power supply unit  
220-240 V ~ 0/50-60 Hz  
DC 198-264 V  
Safety class I  
Protection class IP 67  
Dust-tight and protection against temporary immersion  
Pressure load 1,000 kg (~10 kN)  
Impact strength IK10  
Protection against mechanical impacts < 20 joule  
Maximum surface temperature 30 °C (measured according to EN 60598 of ta 15 °C)  
 – Safety mark  
 – Conformity mark  
Weight: 1.3 kg  
This product contains light sources of energy efficiency class(es) D, E

### Lamp

Module connected wattage	4 W
Luminaire connected wattage	6 W
Rated temperature	t <sub>a</sub> = 25 °C
Ambient temperature	t <sub>a max</sub> = 25 °C

On request we can offer you modifications for environments with higher temperatures as a customized product.

#### 88 675 K27

Module designation	4x LED-0304/827
Colour temperature	2700 K
Colour rendering index	CRI > 80
Module luminous flux	580 lm
Luminaire luminous flux	92 lm
Luminaire luminous efficiency	15,3 lm/W

#### 88 675 K3

Module designation	4x LED-0304/830
Colour temperature	3000 K
Colour rendering index	CRI > 80
Module luminous flux	580 lm
Luminaire luminous flux	92 lm
Luminaire luminous efficiency	15,3 lm/W

#### 88 675 K4

Module designation	4x LED-0304/840
Colour temperature	4000 K
Colour rendering index	CRI > 80
Module luminous flux	620 lm
Luminaire luminous flux	95 lm
Luminaire luminous efficiency	15,8 lm/W

### Service life · Ambient temperature

Rated temperature t <sub>a</sub> = 25 °C	
LED psu:	> 50,000 h
LED module:	> 200,000 h (L 80 B 50)
	100,000 h (L 90 B 50)

Ambient temperature max. t<sub>a</sub> = 25 °C (100 %)

LED psu:	50,000 h
LED module:	> 200,000 h (L 80 B 50)
	100,000 h (L 90 B 50)

### Lighting technology

Luminaire data for the DIALux lighting design program for outdoor lighting, street lighting and indoor lighting, as well as luminaire data in EULUMDAT and IES format are available on the BEGA website at [www.bega.com](http://www.bega.com).

### Inrush current

Inrush current: 20 A / 170 μs

Maximum number of luminaires of this type per miniature circuit breaker:

B 10A:	31 luminaires
B 16A:	50 luminaires
C 10A:	52 luminaires
C 16A:	85 luminaires

### Article No. 88 675

LED colour temperature optionally 2700 K, 3000 K or 4000 K  
2700K – Article number + **K27**  
3000K – Article number + **K3**  
4000K – Article number + **K4**

### Accessories

**70 730** Distribution box for installation in soil with 7 cable entries  
Connection terminals 5 x 4<sup>□</sup>