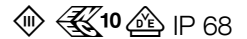


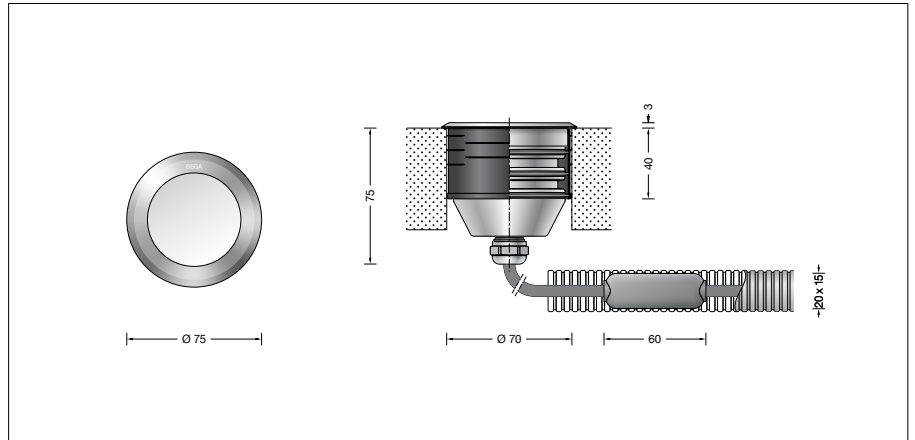
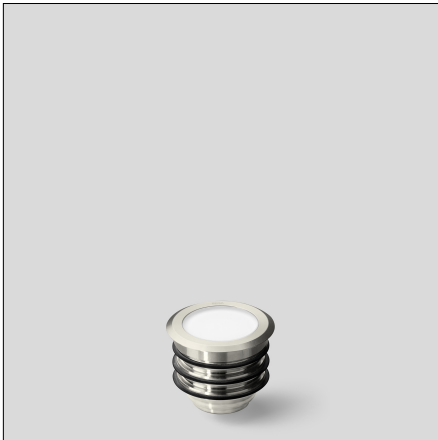
BEGA**99 331**

In-ground luminaire



Project · Reference number

Date



Product data sheet

Application

Location luminaire for recessed installation in compacted surfaces with \varnothing 70 mm provided by the customer.

Drive-over luminaire from vehicles with pneumatic tyres.

Please note:

Luminaire must not be used for installation in road lanes, where the fixture is exposed to a horizontal strain due to braking, acceleration and change of direction.

Product description

In-ground LED luminaire without power supply unit
 Luminaire made of stainless steel
 Steel grade no 1.4301
 Installation bush made of polyamide
 Safety glass, white
 3m water-resistant connecting cable 05RN8-F 2 x 1[□] with implemented water stopper
 Safety class III
 Protection class IP 68 20 m
 Dust-tight and water pressure tight
 Maximum submersion depth 20 m
 Not suitable for permanent operation under water
 Impact strength IK08
 Protection against mechanical impacts < 5 joule
 – Safety mark
 – Conformity mark
 Weight: 0.8 kg
 This product contains light sources of energy efficiency class(es) D

Lamp

Module connected wattage 1.2 W
 Luminaire connected wattage 1.6 W
 Rated temperature $t_a = 25$ °C
 Ambient temperature $t_{a \max} = 65$ °C
 When installed in heat-insulating material $t_{a \max} = 60$ °C

99 331 K27

Module designation LED-0331/827
 Colour temperature 2700 K
 Colour rendering index CRI > 80
 Module luminous flux 240 lm
 Luminaire luminous flux 53 lm
 Luminaire luminous efficiency 33,1 lm/W

99 331 K3

Module designation LED-0331/830
 Colour temperature 3000 K
 Colour rendering index CRI > 80
 Module luminous flux 245 lm
 Luminaire luminous flux 54 lm
 Luminaire luminous efficiency 33,8 lm/W

99 331 K4

Module designation LED-0331/840
 Colour temperature 4000 K
 Colour rendering index CRI > 80
 Module luminous flux 250 lm
 Luminaire luminous flux 55 lm
 Luminaire luminous efficiency 34,4 lm/W

Service life · Ambient temperature

Rated temperature $t_a = 25$ °C
 LED module: > 200,000h (L80B50)
 100,000h (L90B50)

Ambient temperature max. $t_a = 65$ °C (100 %)
 LED module: 75,000h (L80B50)
 100,000h (L70B50)

Lighting technology

Luminaire data for the DIALux lighting design program for outdoor lighting, street lighting and indoor lighting, as well as luminaire data in EULUMDAT and IES format are available on the BEGA website at www.bega.com.

Accessories

Power supply unit for LED luminaires 24 V DC
 Safety transformer according to EN 61558/VDE 0570 part 2-6
70 564 Power supply unit for 5-15 W
70 465 Power supply unit for 10-25 W
70 565 Power supply unit for 20-35 W
70 566 Power supply unit for 30-50 W
70 567 Power supply unit for 40-75 W
70 169 Power supply unit for 70-150 W 230 V ~ 50-60 Hz

70 114 Power supply unit for 0-70 W
 AC range: AC: 198-264 V ~ 50-60 Hz
 DC range: DC: 176-275 V

The power supply units are also suitable for the operation of several LED luminaires. In this case, the maximum wattage of the power supply unit must not be exceeded.

70 745 Installation housing made of stainless steel

70 730 Distribution box for installation in soil with 7 cable entries
 Connection terminals 5 x 4[□]

For the accessories a separate instructions for use can be provided upon request.

Article No. 99 331

LED colour temperature optionally 2700 K, 3000 K or 4000 K
 2700K – Article number + **K27**
 3000K – Article number + **K3**
 4000K – Article number + **K4**