

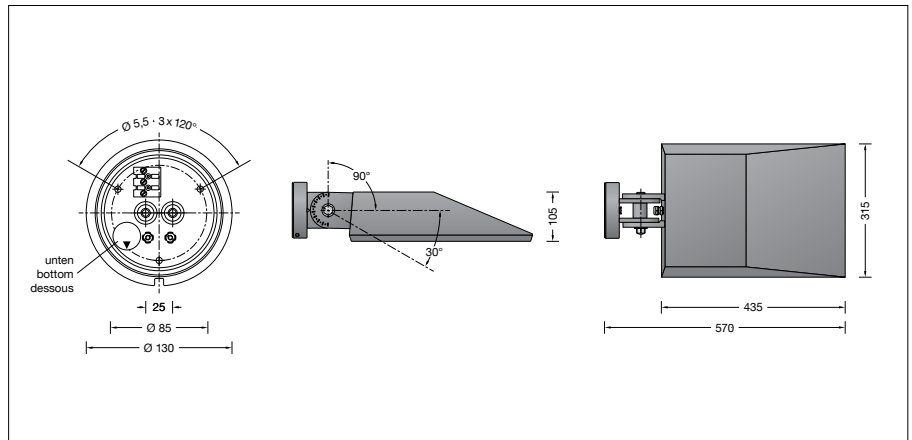
**BEGA****24 352**

Wall luminaire



Project · Reference number

Date



## Product data sheet

### Product description

Luminaire made of aluminium alloy, aluminium and stainless steel  
 BEGA Unidure® coating technology  
 Clear safety glass  
 Reflector made of pure anodised aluminium  
 Swivel range around the horizontal axis  
 +90° to -30° in increments of 10°  
 Mounting plate with 3 fixing holes  $\varnothing$  5.5 mm  
 Angle 120° · Pitch circle  $\varnothing$  85 mm  
 2 cable entries for through-wiring of mains supply cable  $\varnothing$  7-10.5 mm, max. 5 G 1.5<sup>□</sup>  
 Connecting terminal 2.5<sup>□</sup> with plug connection  
 Earth conductor connection  
 LED power supply unit  
 220-240 V  $\sim$  0/50-60 Hz  
 DC 176-280 V  
 During DC operation the LED power is reduced to 15 %  
 DALI-controllable  
 Number of DALI addresses: 1  
 Basic insulation is provided between the mains and control cables  
 BEGA Thermal Control®  
 Temporary thermal regulation to protect temperature-sensitive components without switching off the luminaire  
 Safety class I  
 Protection class IP 65  
 Dust-tight and protection against water jets  
 Impact strength IK09  
 Protection against mechanical impacts < 10 joule  
 – Safety mark  
 – Conformity mark  
 Weight: 7.2 kg  
 This product contains light sources of energy efficiency class(es) E

### Application

Wall luminaire with asymmetrical light distribution. For lighting ceiling, wall and ground surfaces. The asymmetrical light distribution is particularly suitable for the spatial illumination of surfaces.

### Lamp

Module connected wattage	96.2 W
Luminaire connected wattage	106 W
Rated temperature	$t_a = 25^\circ\text{C}$
Ambient temperature	$t_{a\text{max}} = 40^\circ\text{C}$

### 24 352 K3

Module designation	LED-1003/830
Colour temperature	3000 K
Colour rendering index	CRI > 80
Module luminous flux	16780 lm
Luminaire luminous flux	12579 lm
Luminaire luminous efficiency	118,7 lm/W

### 24 352 K4

Module designation	LED-1003/840
Colour temperature	4000 K
Colour rendering index	CRI > 80
Module luminous flux	17020 lm
Luminaire luminous flux	12759 lm
Luminaire luminous efficiency	120,4 lm/W

### Ratio of luminous flux

Luminous flux upper half-space	0 %
Luminous flux lower half-space	100 %

BUG rating according to IES TM-15-07:

3-0-1

CEN Flux Code according to EN 13032-2:

38-79-98-100-100

### Lighting technology

Luminaire data for the DIALux lighting design program for outdoor lighting, street lighting and indoor lighting, as well as luminaire data in EULUMDAT and IES format are available on the BEGA website at [www.bega.com](http://www.bega.com).

### Service life · Ambient temperature

Rated temperature $t_a = 25^\circ\text{C}$	
LED psu:	> 50,000 h
LED module:	> 200,000 h (L 80 B 50) 100,000 h (L 90 B 50)

Ambient temperature max. $t_a = 40^\circ\text{C}$ (100 %)	
LED psu:	50,000 h
LED module:	180,000 h (L 80 B 50)

Ambient temperature max. $t_a = 50^\circ\text{C}$ (55 %)	
LED psu:	> 50,000 h
LED module:	> 50,000 h (L 70 B 50)

BEGA Thermal Control® protects temperature-sensitive luminaire components by temporarily limiting the nominal power at high temperatures.

### Inrush current

Inrush current: 50 A / 209  $\mu\text{s}$   
 Maximum number of luminaires of this type per miniature circuit breaker:  
 B 10A: 6 luminaires  
 B 16A: 10 luminaires  
 C 10A: 10 luminaires  
 C 16A: 16 luminaires

### Article No. 24 352

LED colour temperature optionally 3000 K or 4000 K  
 3000 K – Article number + **K3**  
 4000 K – Article number + **K4**

Colour graphite or silver  
 graphite – article number  
 silver – article number + **A**

### Light distribution

