

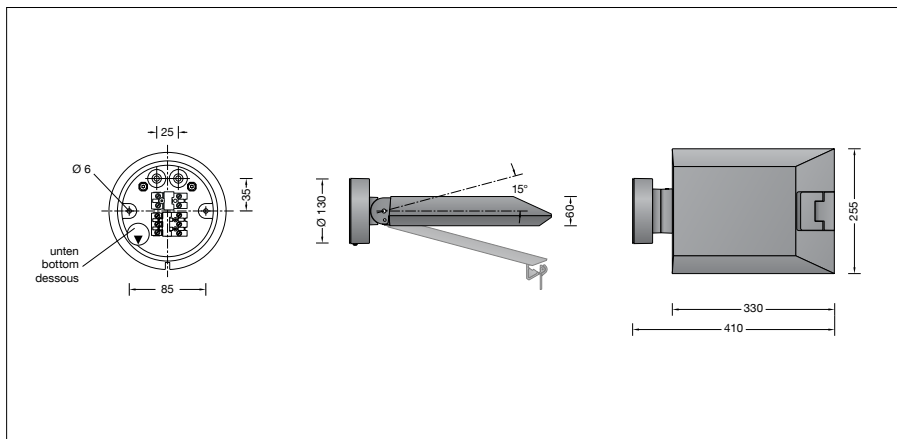
BEGA**66 451**

Wall luminaire



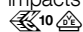

Project · Reference number

Date



Product data sheet

Product description

Luminaire made of aluminium alloy, aluminium and stainless steel
 BEGA Unidure® coating technology
 Safety glass, antireflection-coated
 Silicone gasket
 Reflector made of pure anodised aluminium
 Toolless closure
 Adjustable joint for beam direction 0° or 15°
 Mounting plate with 2 fixing holes \varnothing 5.5 mm · 85 mm spacing
 2 cable entries for through-wiring of mains supply cable \varnothing 7-10.5 mm, max. 5 G 1.5²
 Connecting terminal 2.5² with plug connection
 Earth conductor connection
 BEGA Ultimate Driver®
 LED power supply unit
 220-240 V \sim 0/50-60 Hz
 DC 176-264 V
 DALI-controllable
 Number of DALI addresses: 1
 Basic insulation is provided between the mains and control cables
 BEGA Thermal Control®
 Temporary thermal regulation to protect temperature-sensitive components without switching off the luminaire
 Safety class I
 Protection class IP 66
 Dust-tight and protection against strong water jets
 Impact strength IK08
 Protection against mechanical impacts < 5 joule
 – Safety mark
 – Conformity mark
 Wind catching area: 0.03 m²
 Weight: 4.2 kg
 This product contains light sources of energy efficiency class(es) C

Application

Wall luminaire with asymmetrical light distribution for in-depth illumination of surfaces. The angle of attack of the luminaire is adjustable at 0° or 15° and thus can be aligned to the surface to be illuminated.

Lamp

Module connected wattage 31 W
 Luminaire connected wattage 34.5 W
 Rated temperature $t_a = 25$ °C
 Ambient temperature $t_{a,max} = 30$ °C

66 451 K4

Module designation LED-0559/840
 Colour temperature 4000 K
 Colour rendering index CRI > 80
 Module luminous flux 6190 lm
 Luminaire luminous flux 5135 lm
 Luminaire luminous efficiency 148,8 lm/W

66 451 K3

Module designation LED-0559/830
 Colour temperature 3000 K
 Colour rendering index CRI > 80
 Module luminous flux 6015 lm
 Luminaire luminous flux 4989 lm
 Luminaire luminous efficiency 144,6 lm/W

Lighting technology

Luminaire data for the DIALux lighting design program for outdoor lighting, street lighting and indoor lighting, as well as luminaire data in EULUMDAT and IES format are available on the BEGA website at www.bega.com.

Inrush current

Inrush current: 5 A / 100 μ s
 Maximum number of luminaires of this type per miniature circuit breaker:
 B 10A: 28 luminaires
 B 16A: 45 luminaires
 C 10A: 28 luminaires
 C 16A: 48 luminaires

Service life · Ambient temperature

Rated temperature $t_a = 25$ °C
 LED psu: > 50,000 h
 LED module: > 200,000 h (L 80 B 50)
 100,000 h (L 90 B 50)

Ambient temperature max. $t_a = 30$ °C (100 %) LED psu: 50,000 h
 LED module: > 200,000 h (L 80 B 50)
 100,000 h (L 90 B 50)

Ambient temperature max. $t_a = 50$ °C (65 %) LED psu: > 50,000 h
 LED module: > 50,000 h (L 70 B 50)

BEGA Thermal Control® protects temperature-sensitive luminaire components by temporarily limiting the nominal power at high temperatures.

Ratio of luminous flux

Luminous flux upper half-space 0 %
 Luminous flux lower half-space 100 %

BUG rating according to IES TM-15-07:

2-0-1

CEN Flux Code according to EN 13032-2:
 32-70-96-100-100

Article No. 66 451

LED colour temperature optionally 4000K or 3000K

4000 K – Article number + **K4**

3000 K – Article number + **K3**

Colour graphite or silver
 graphite – article number
 silver – article number + **A**

Light distribution

